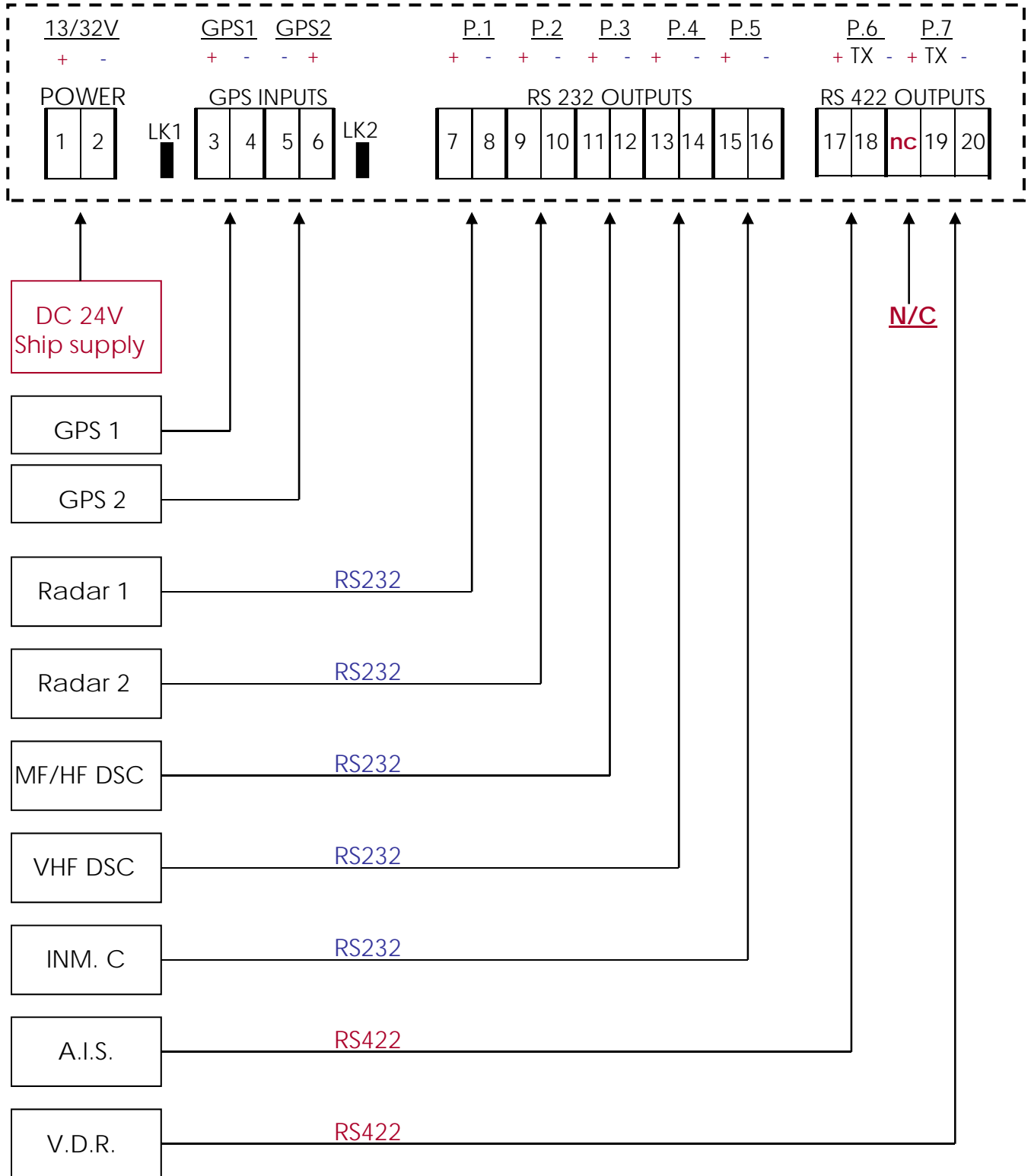


## INSTALLATION DIAGRAM



This nmea GPS buffer&rs232/422 convertor unit designed by BOSFOR ELEKTRONIK LTD Istanbul.